



To Exhibition Hall

Chandler Center for the Arts
Foyer Plan View
Scale 1/16"=1'0"

3700SF
Approx.

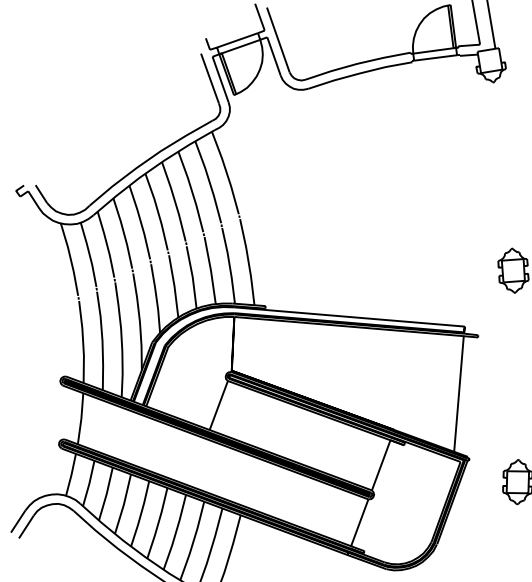
Management Offices

North Restrooms
every and
wheelchair access to
mainstage

Recital Hall

Chandler Center for the Arts

Main Entrance



Bogle Theatre

To Bogle Foyer
& So. Restrooms

House Mgr.s

FOH
Coord.

